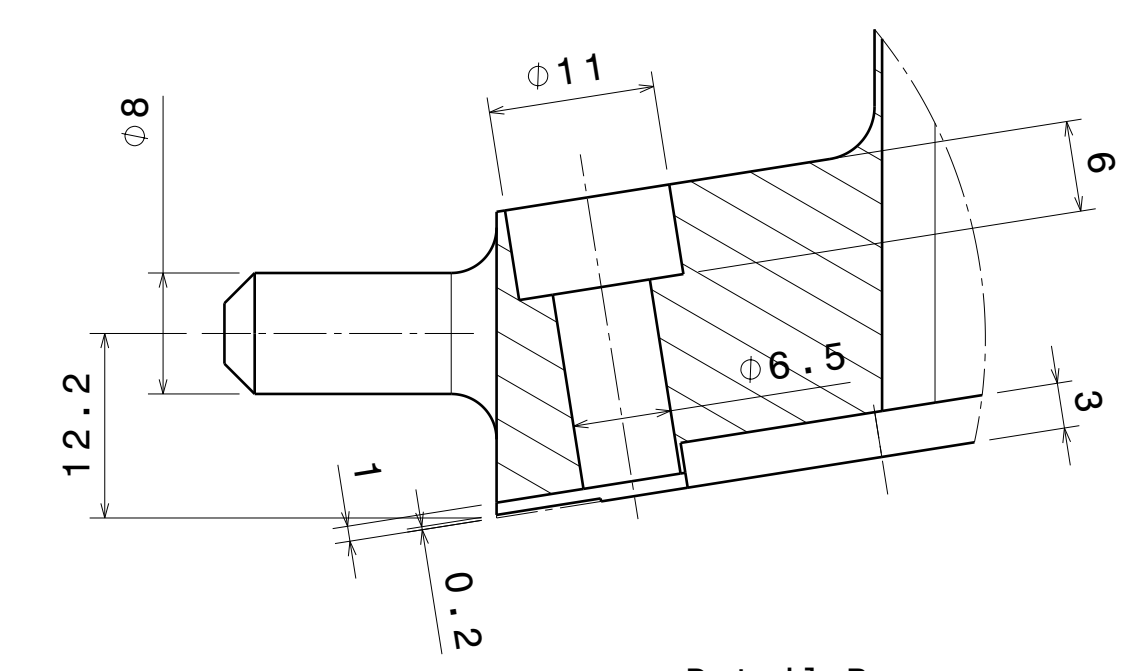
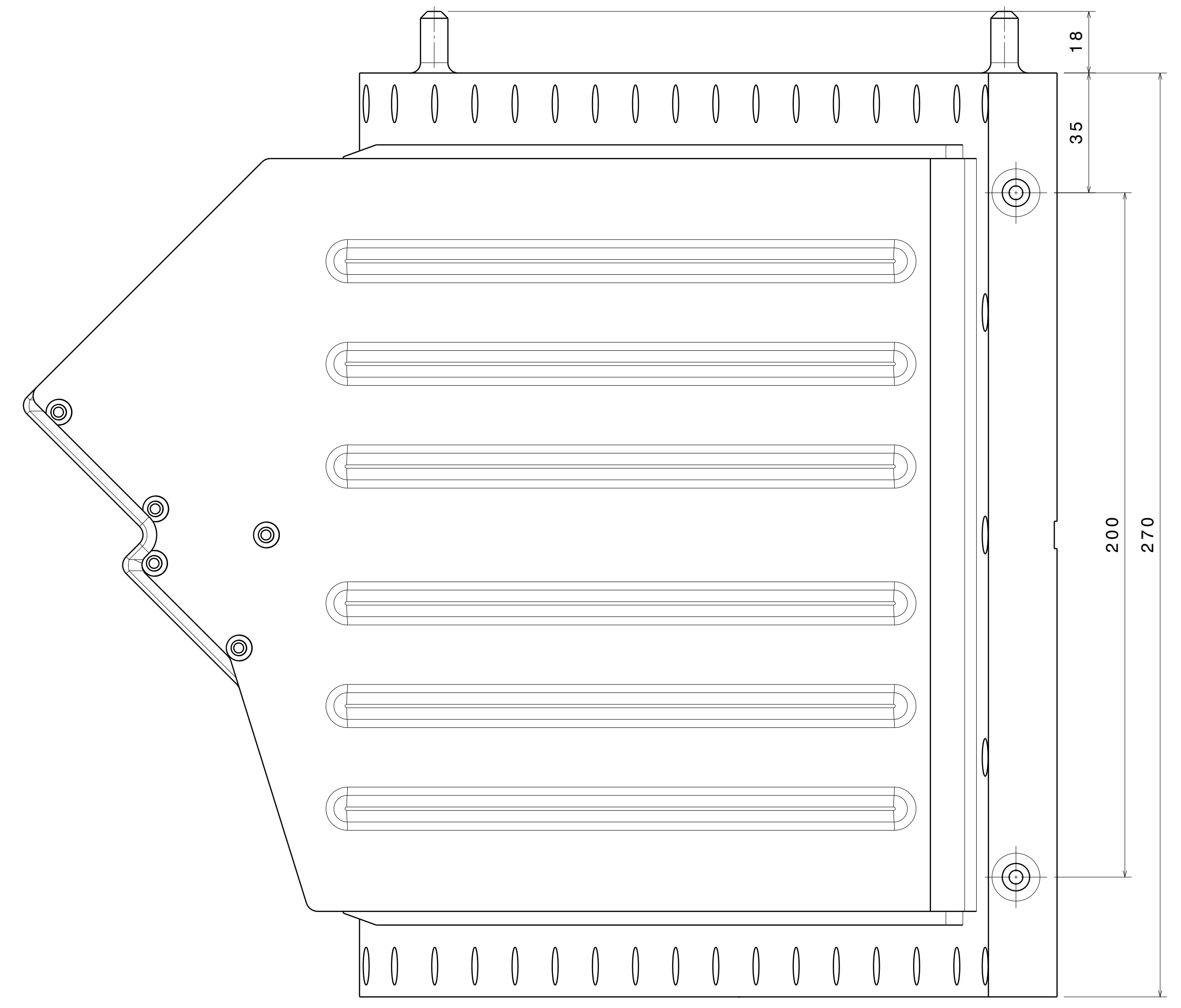
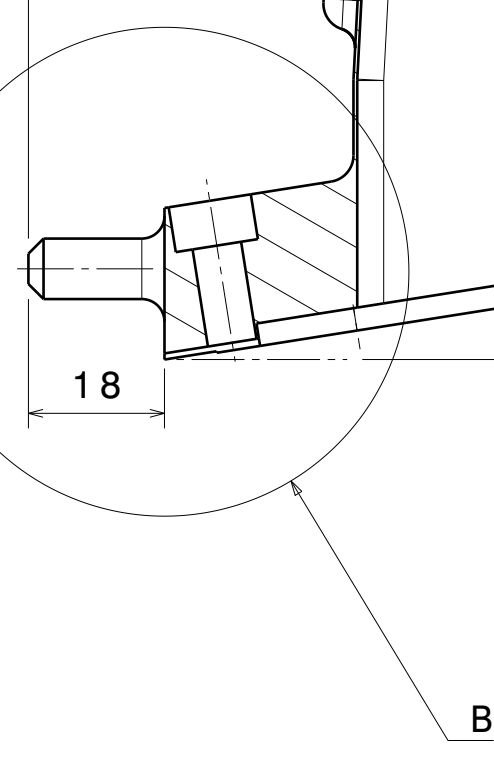


Section view A-A
Scale: 1:1



Detail B
Scale: 2:1

A-side:	-275	-250	-225	-200	-125	-50	-25	0	25
	50	75	100	125	150	175	200	225	250
	275	325	400	500	600	650	700	750	
C-side:	-287.5	-262.5	-237.5	-212.5	-137.5	-62.5	-37.5	-12.5	12.5
	37.5	62.5	87.5	112.5	137.5	162.5	187.5	212.5	237.5
	262.5	312.5	387.5	487.5	587.5	637.5	687.5	737.5	



Bottom view
Scale: 1:1

01	XX	XX	XX	XX	XX
PART NO.	REV.	TITLE	MATERIAL	SIZE/NOTE	E. D. NO./NORM
Projects	X			Date	Name
Title: High Right C side box					
Scale: 1:1	Drawn: M Boets	Checked:	Size: A0	Sheet No. X	Number of sheets: X
			National Institute for Subatomic Physics This drawing may not be used for commercial purposes without written authorization.		